

®

CE

FOTOCELULA - SX



FOTOCEDURE DA PARETE E
DA COLONNA SINCRONIZZATE
AUTOALLINEANTI



WALL-MOUNTED AND
PILLAR-MOUNTED PHOTOCESLS,
SYNCHRONISED AND
SELF-ALIGNING

Fig. 1

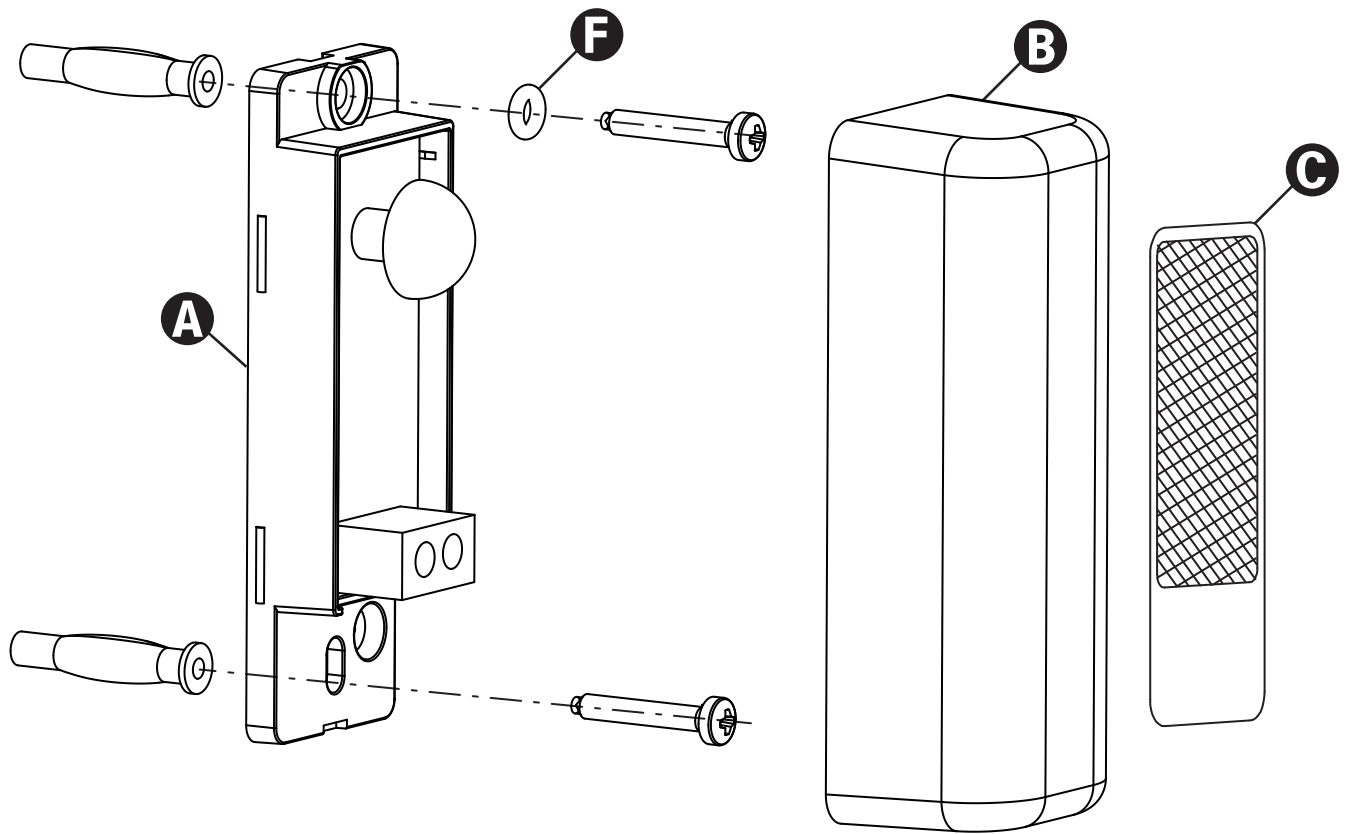


Fig. 2

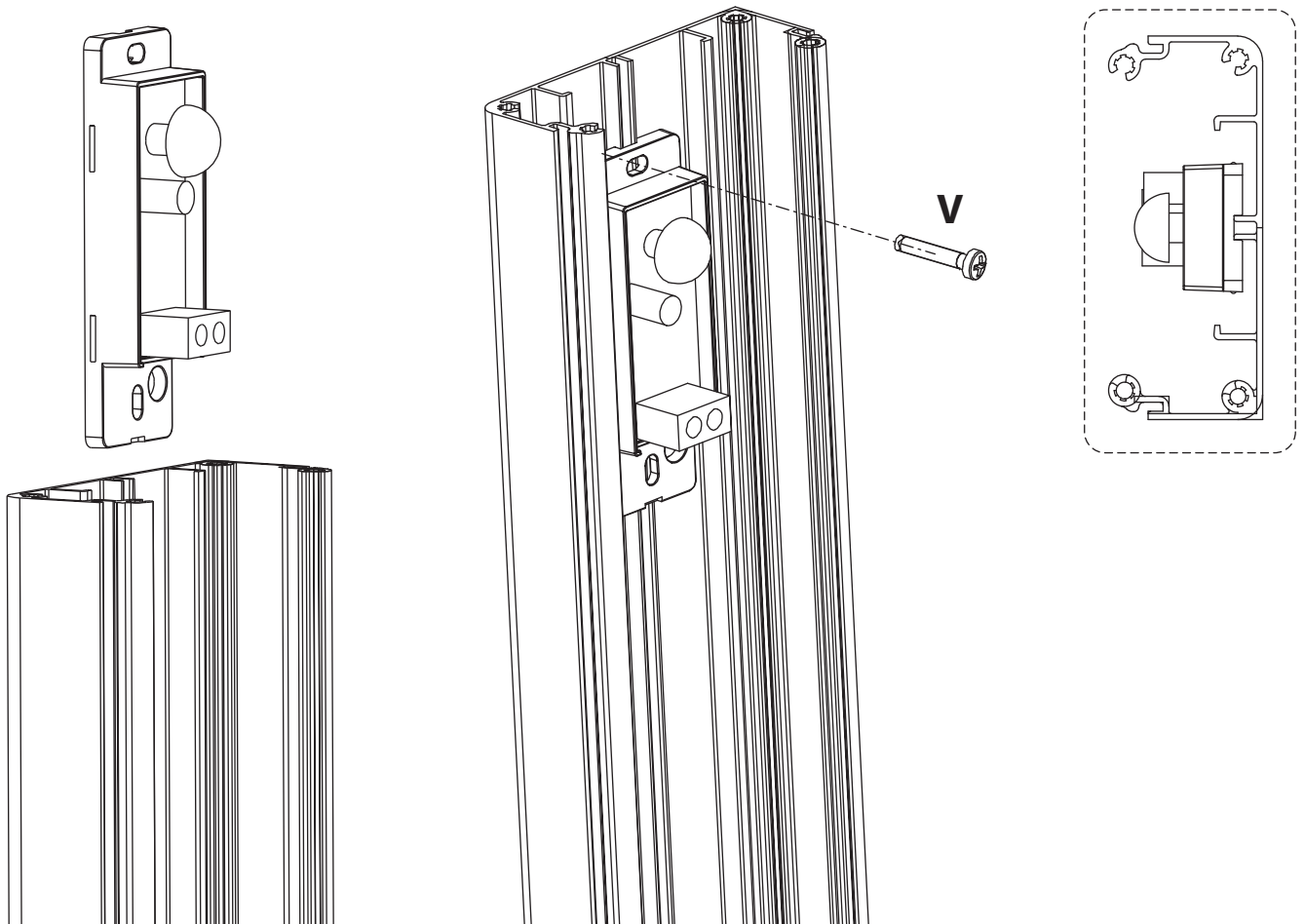


Fig. 3

TX



RX

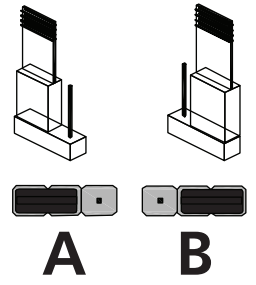
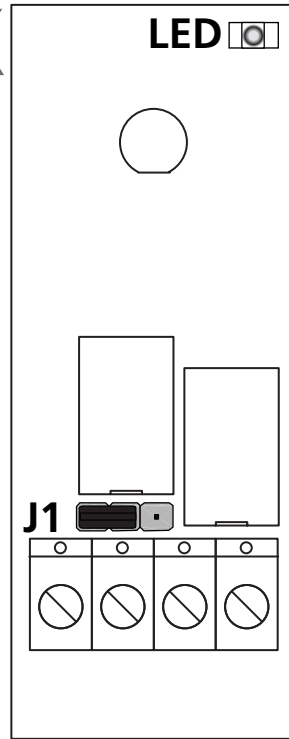


Fig. 4

SYNCHRO

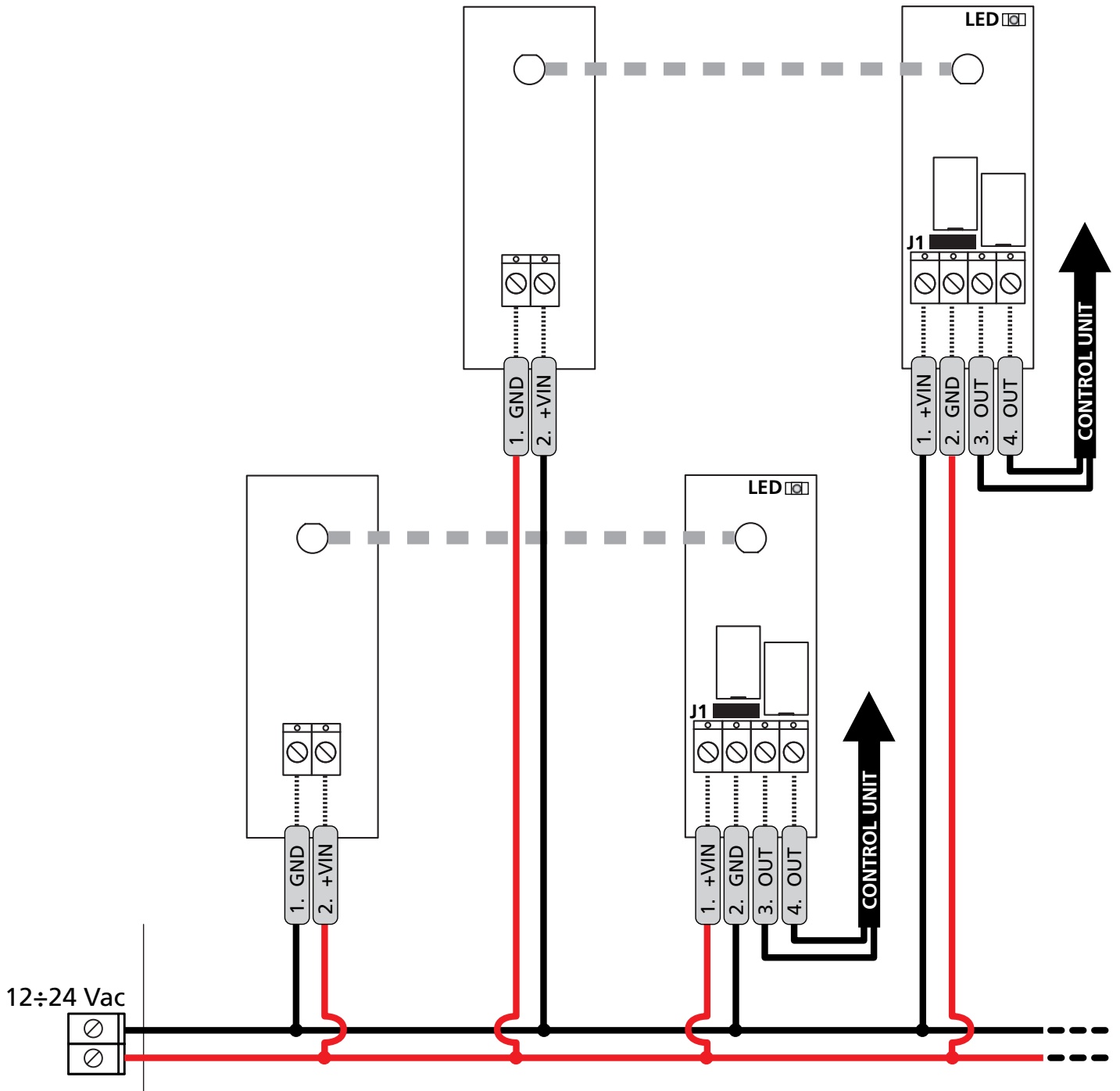
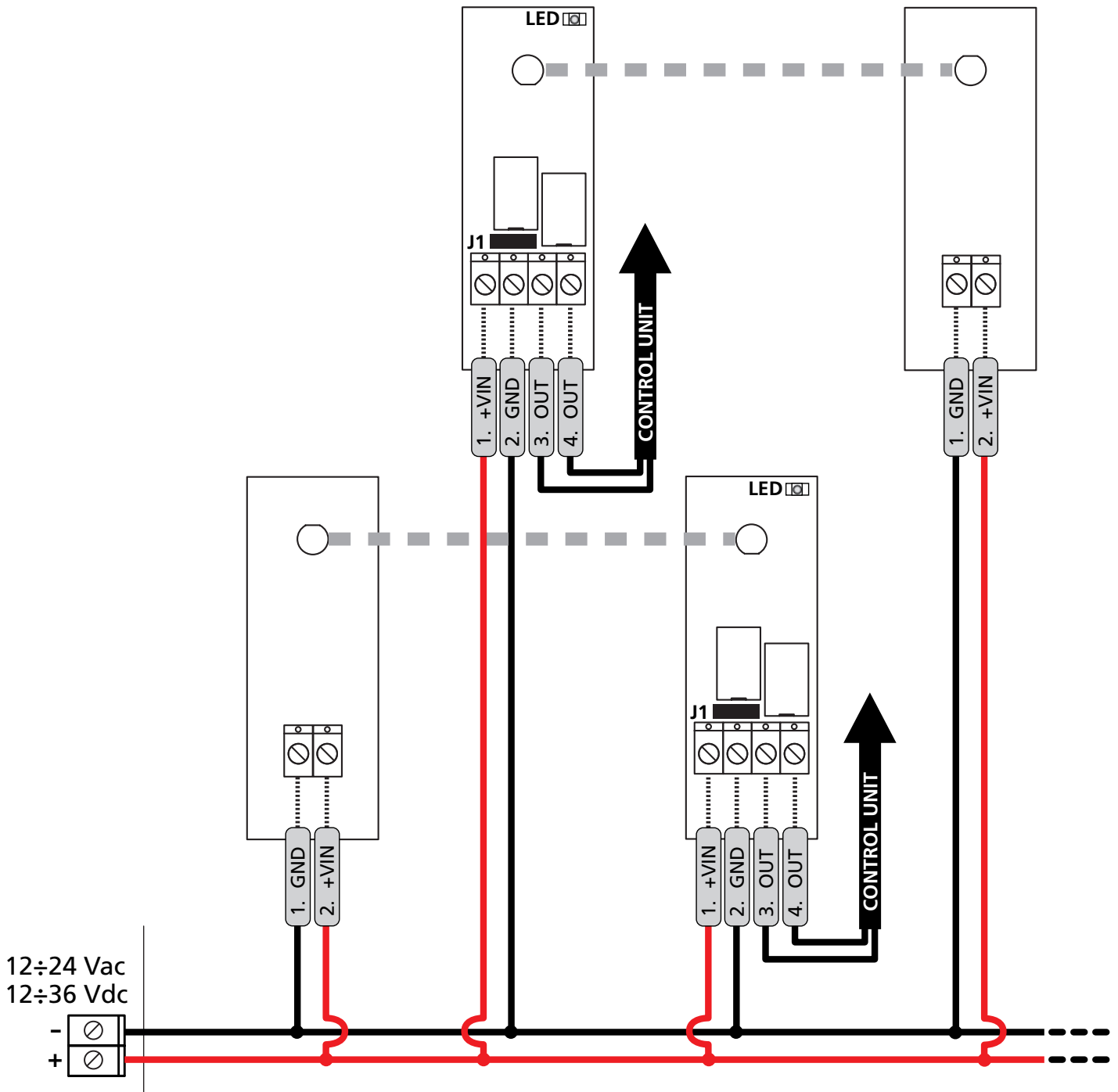


Fig. 5

NO-SYNCHRO



WALL INSTALLATION (Fig. 1)

For the system to function correctly, it is essential that the flatness and linearity of the surfaces intended for installation be checked, then FIX THE PROJECTOR ALONG THE SAME GEOMETRICAL AXIS AND AT THE SAME HEIGHT ABOVE THE GROUND, IN FRONT OF THE RECEIVER.

For correct installation, follow the instructions below very carefully:

- Decide where the photocells are to be installed, taking into account the need for the photocells to be fixed on a flat, linear surface.

⚠ PLEASE NOTE: position the photocells so as to avoid that the receiver RX facing into the sun.

- Decide where to place the channels for the power supply cables.
- Open the photocell casing and use the base **A** to mark out the positions of the fixing holes.
- Fix the base using the gasket **F**.
- Make the electrical connections.

INSTALLATION ON A GARDO PILLAR (FIG. 2)

1. Install the pillars, following the instructions given in the relevant instruction manual enclosed.
2. Insert the photocell (or photocells, depending on the length of the strip) into the grooves in the strip.
3. Position the photocell at the desired height and fix it using the special **V** screws (Fig.2).

⚠ PLEASE NOTE: Current regulations require the recognition of obstacles with different minimum heights depending on the type of installation: 30 cm (height recommended for the installation of the 20 cm photocell) or 70 cm (50 cm recommended height). Refer to the regulations specific for the type of installation.

4. Insert the connection cables into the hole on the bottom of the column.
5. Connect the photocells and make the necessary adjustments.
6. Insert the plastic front of the column and slide it down and then insert the top plug

⚠ PLEASE NOTE: If the signal is not sufficient, check that the transmitter and receiver are aligned. Optionally, remove the cover B from the photocell inserted in the pillar and held in place by the upper cap. If the photocell is inserted inside the pillar on which there is an accessory fitted in place of the upper cap, DO NOT remove the cover.

ELECTRICAL CONNECTIONS

⚠ WARNING: The installation of the unit, safety devices and accessories must be carried out when the power supply is disconnected

The new range of devices is equipped with a synchronism circuit allowing the installation of two pairs, even very close together, without them interfering with one another.

⚠ WARNING: the supply of TX and RX must be in phase (e.g. TX earth with RX earth and 24 V AC TX with 24 V AC RX).

Synchronised operation - connect as Fig. 4

Supply both pairs of photocells with AC current, inverting the polarity between the first and second pairs.

Non-synchronised operation - connect as Fig. 5

Supply by direct or alternating current the two pairs of photocells and install the two pairs in the reverse order with respect to one another.

JUMPER (Fig. 3)

JUMPER J1 (RX)

Position A - relay output with normally closed contact (DEFAULT)

Position B - relay output with normally open contact

ADJUSTMENT

Having completed the installation, check that the system is operating correctly:

1. Ensure there are no obstacles between the transmitter and the receiver.
2. Power-up the system:
 - The receiver LED is off: The photocell is not centred; perform centring.
 - The receiver LED is on: the photocell is centred, move on to part 3.

⚠ WARNING: If the receiver LED flashes, the power supply of TX and RX is out of phase. Check the electrical connections.

3. Place the cover **B** over the photocell and ensure it is operating correctly without removing the adhesive attenuation filter **C** (the filter simulates adverse weather conditions such as rain, fog etc.)
4. Then remove the attenuation filter.
5. Break the infrared beam a number of times: the receiver LED must switch itself off and the relay must switch.

TECHNICAL SPECIFICATIONS

Optical range	20 m
Dimensions	84x29x24 mm
Power supply (VIN - GND)	12÷24 Vac / 12÷36 Vdc
Signal	modulated infrared 2 KHz $\lambda = 940 \text{ nm}$
Relay contact	1A max 30 VDC
Absorption (VIN = 24Vdc)	TX 15 mA RX 20 mA
Operating temperature	-20° + 60° C
Protection degree	IP44

EU DECLARATION OF CONFORMITY

V2 S.p.A. hereby declare that SENSIVA-XS equipment conforms to the essential requirements established in directives:

- 2014/30/EU electromagnetic compatibility directive
- RoHS2 2011/65/EC

Racconigi, 01/06/2015

Legal representative, V2 S.p.A.

Giuseppe Pezzetto



